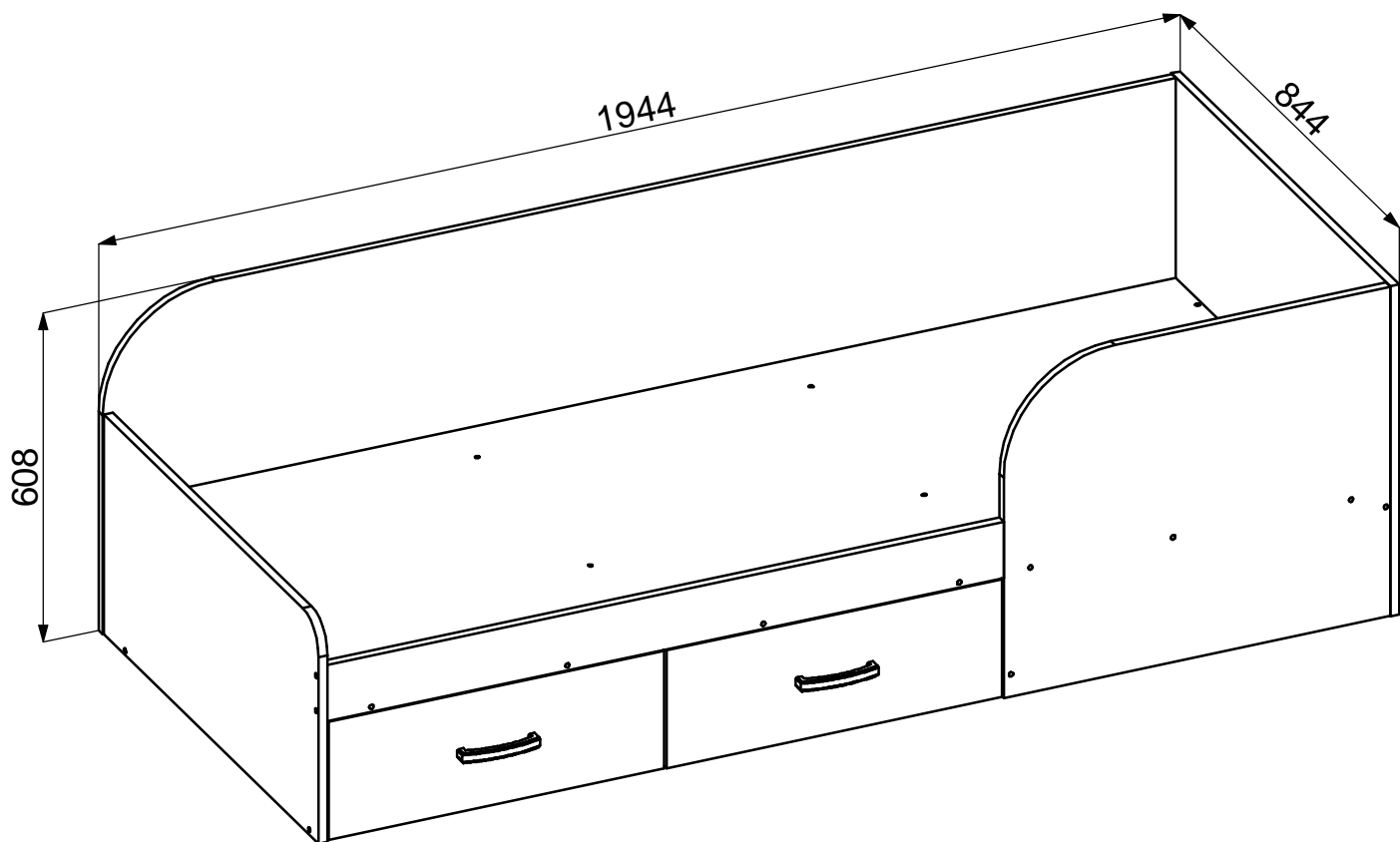
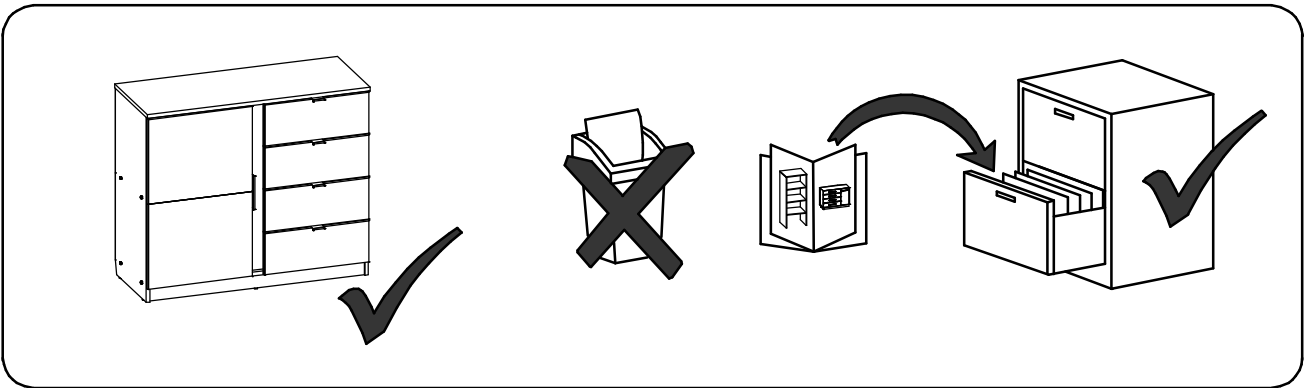
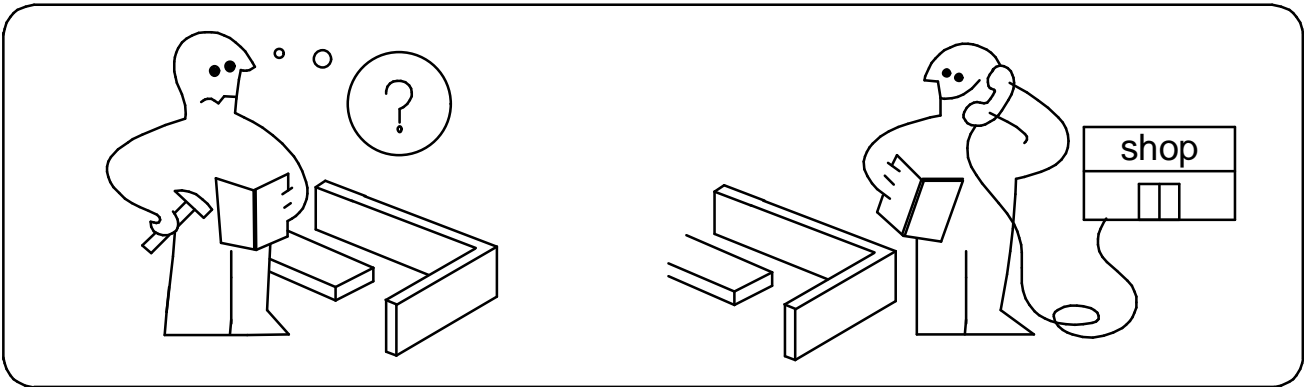
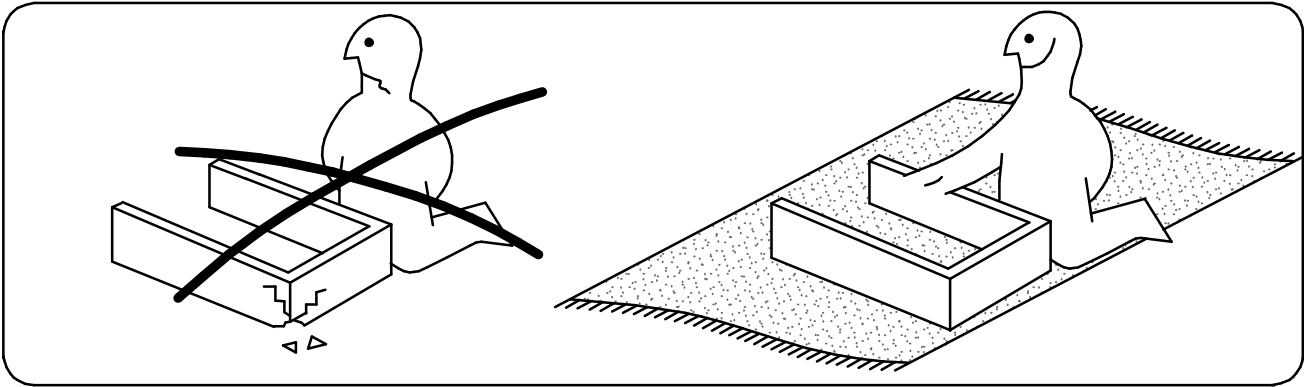
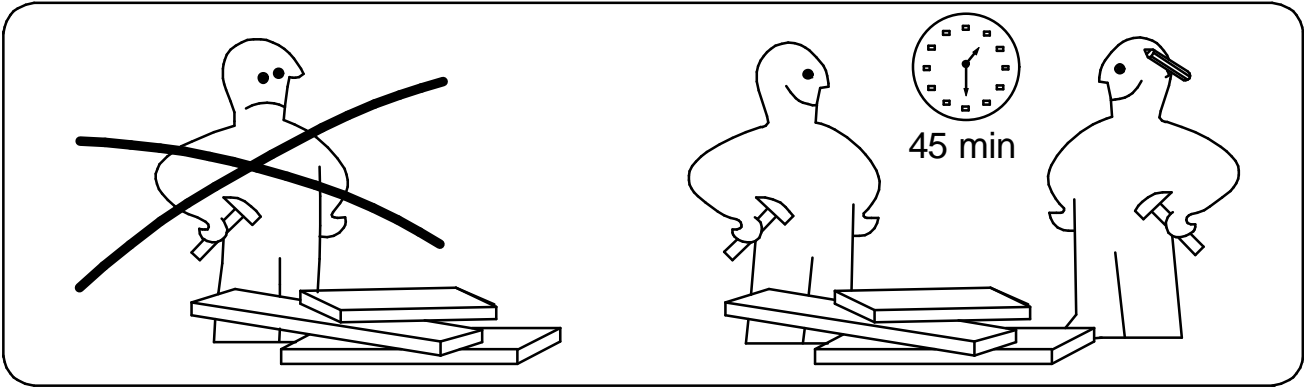
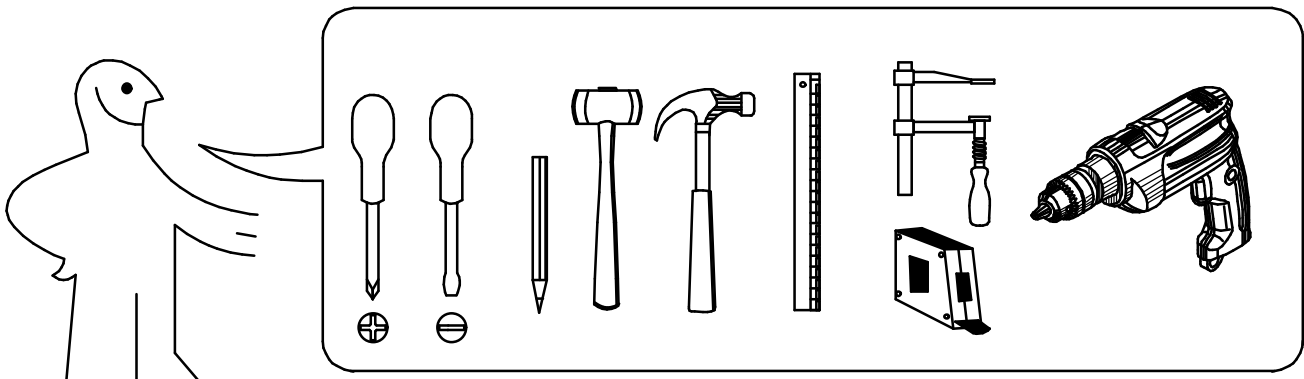
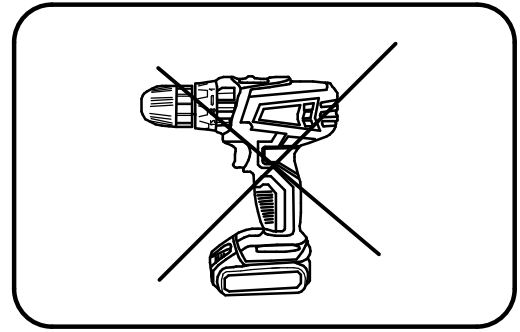
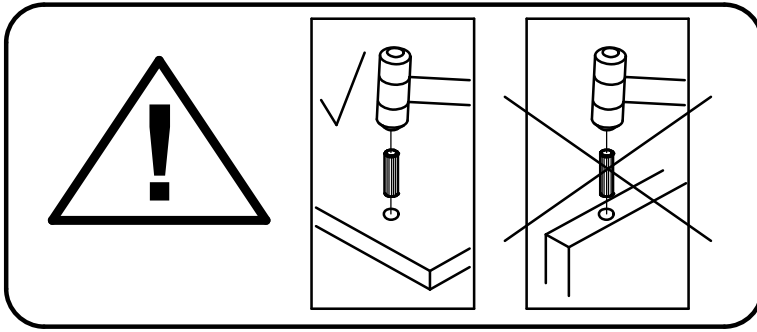



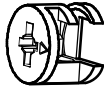
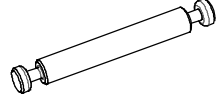
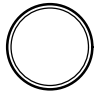



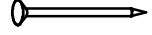
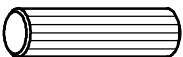

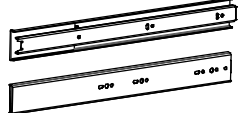




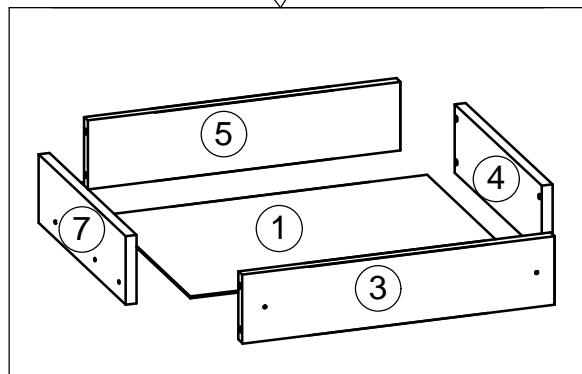
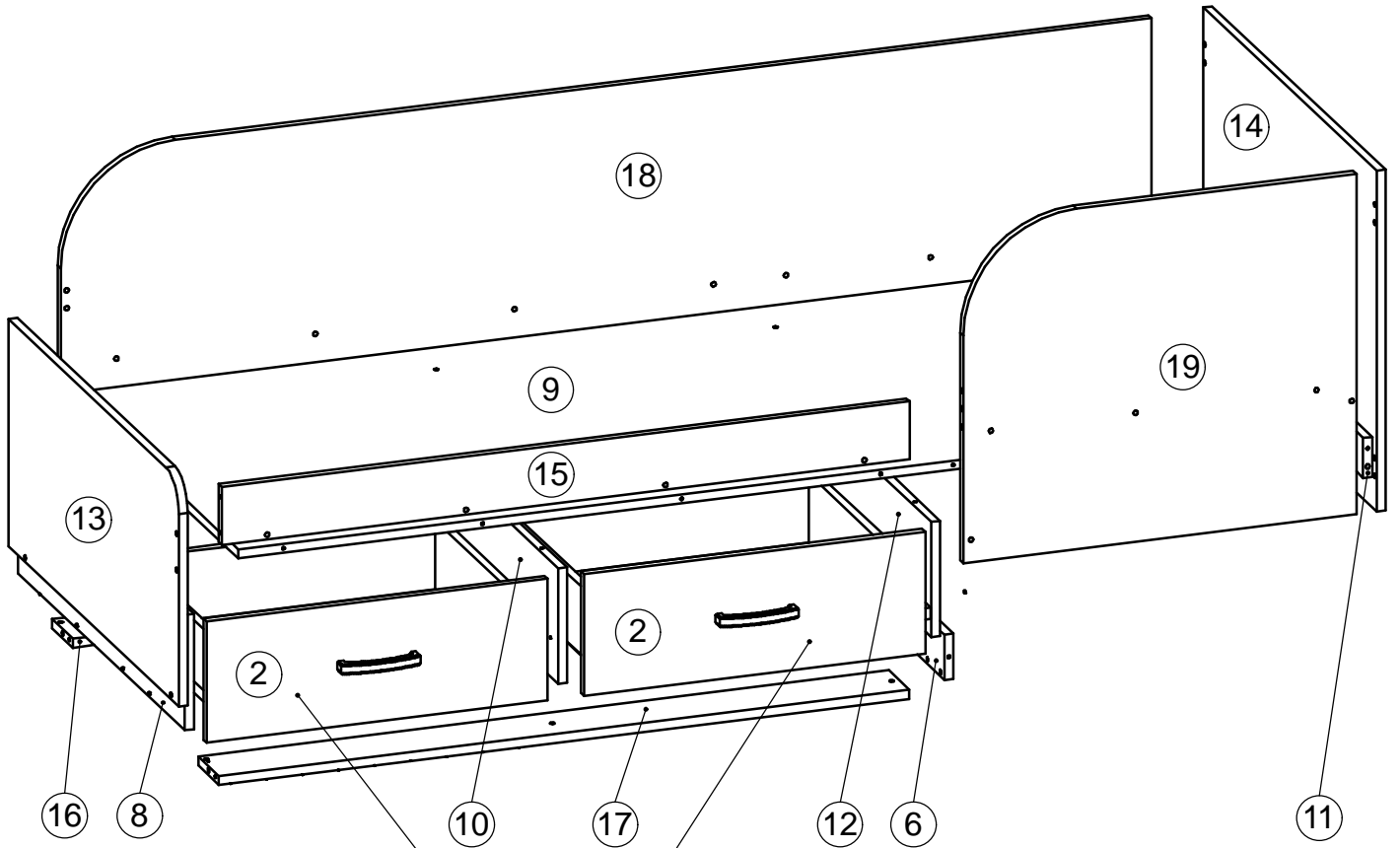
Легло Деос 2





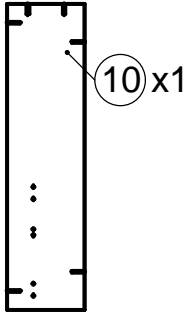


 Ø6,3x50 mm A1 x 44	 Ø12 mm A2 x17	 4 mm A3 x 1	 Ø15x12 mm B1 x 2	 Ø9 B2 x 1
 Ø20 mm B3 x 2	 Ø4x16 mm D1 x 24	 Ø4,2x25 mm D2 x 4	 Ø4x30 mm D3 x 4	 Ø1,6x20 mm F x 68
 Ø8x36 mm G x 40	 H x 2	 L=400 mm K x 2	 Ø15 mm N x10	 50g R x 1

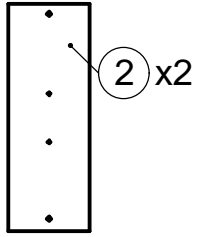


Box 1/3

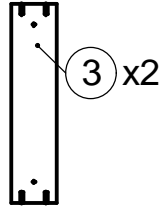
809x204x16 mm



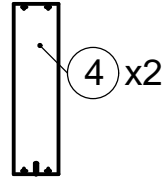
214x602x16 mm



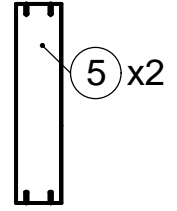
526x120x16 mm



450x120x16 mm

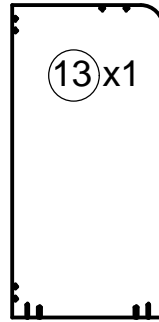


526x120x16 mm

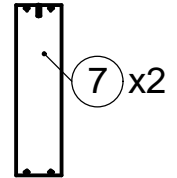


Fittings & Tools

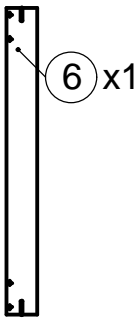
400x826x16 mm



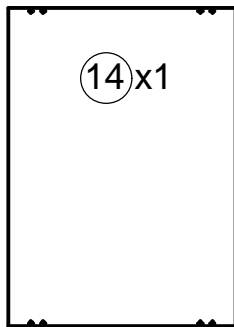
450x120x16 mm



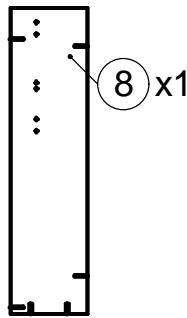
810x80x16 mm



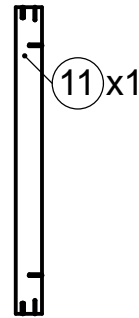
601x842x16 mm



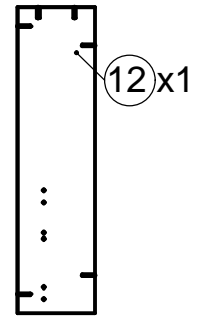
809x204x16 mm



810x70x16 mm

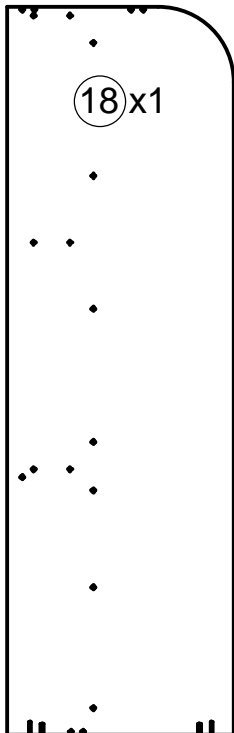


809x204x16 mm

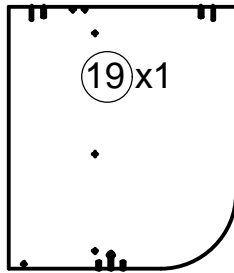


Box 2/3

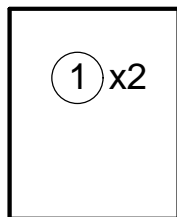
600x1926x16 mm



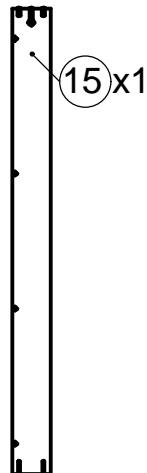
600x692x16 mm



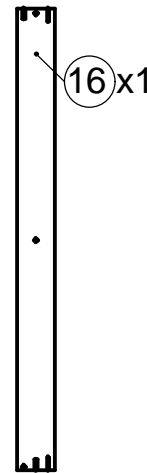
556x448x3 mm



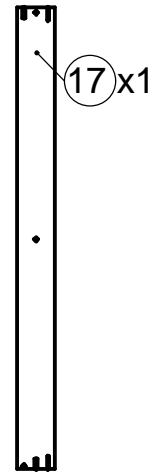
100x1215x16 mm



1221x100x16 mm

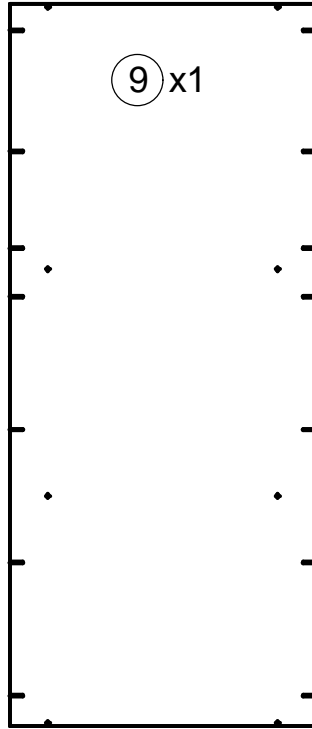


1221x100x16 mm



Box 3/3

1910x810x16 mm



1



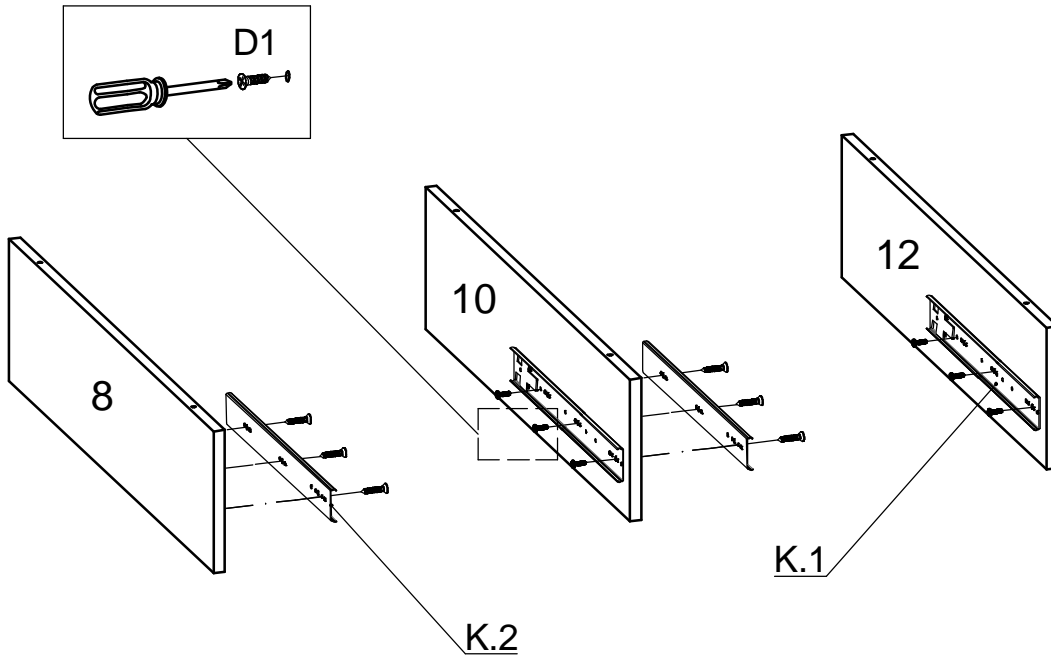
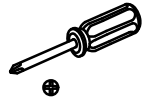
D1 x 12



K.1 x 2



K.2 x 2



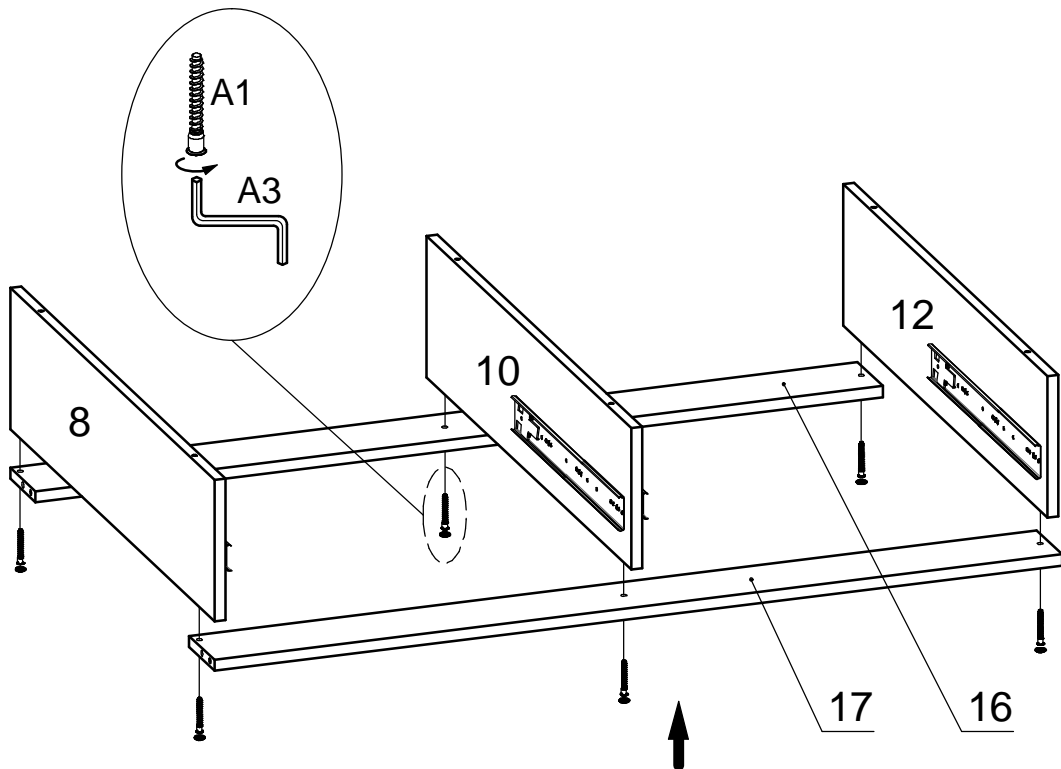
2



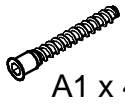
A1 x 6



A3 x 1



3



A1 x 4



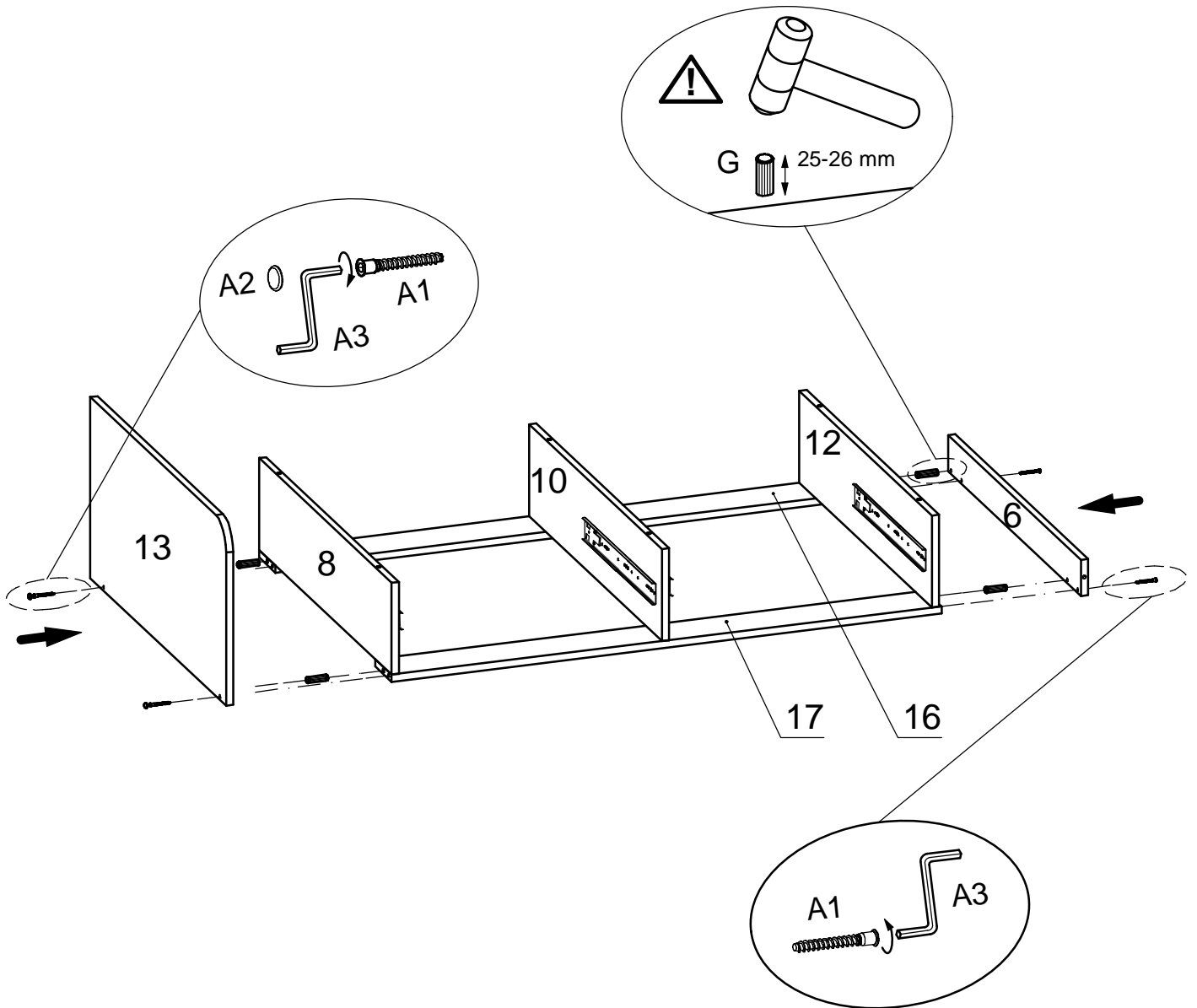
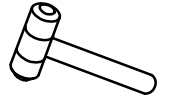
A2 x 2



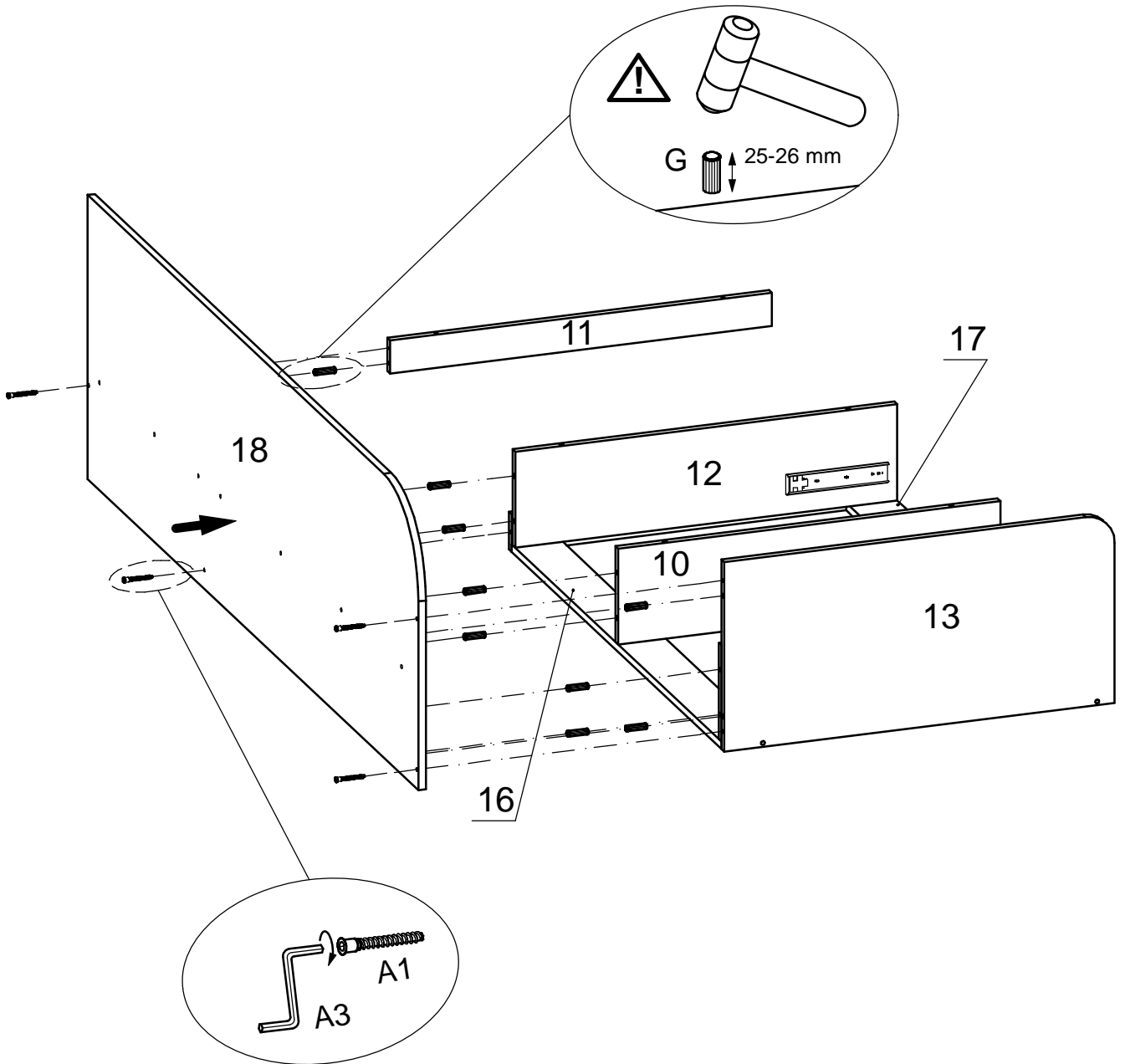
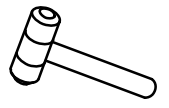
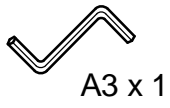
A3 x 1



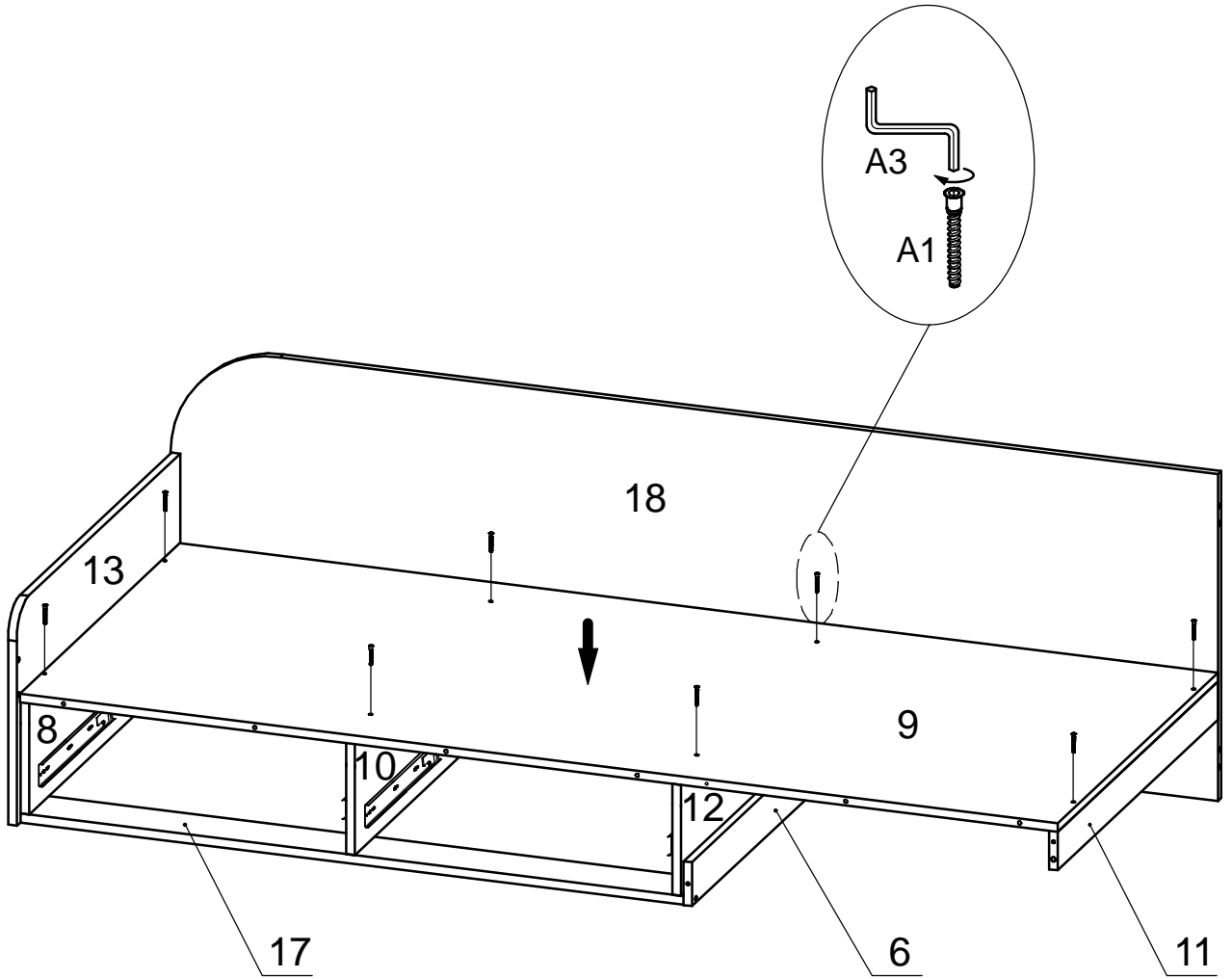
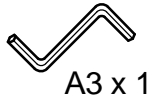
G x 4



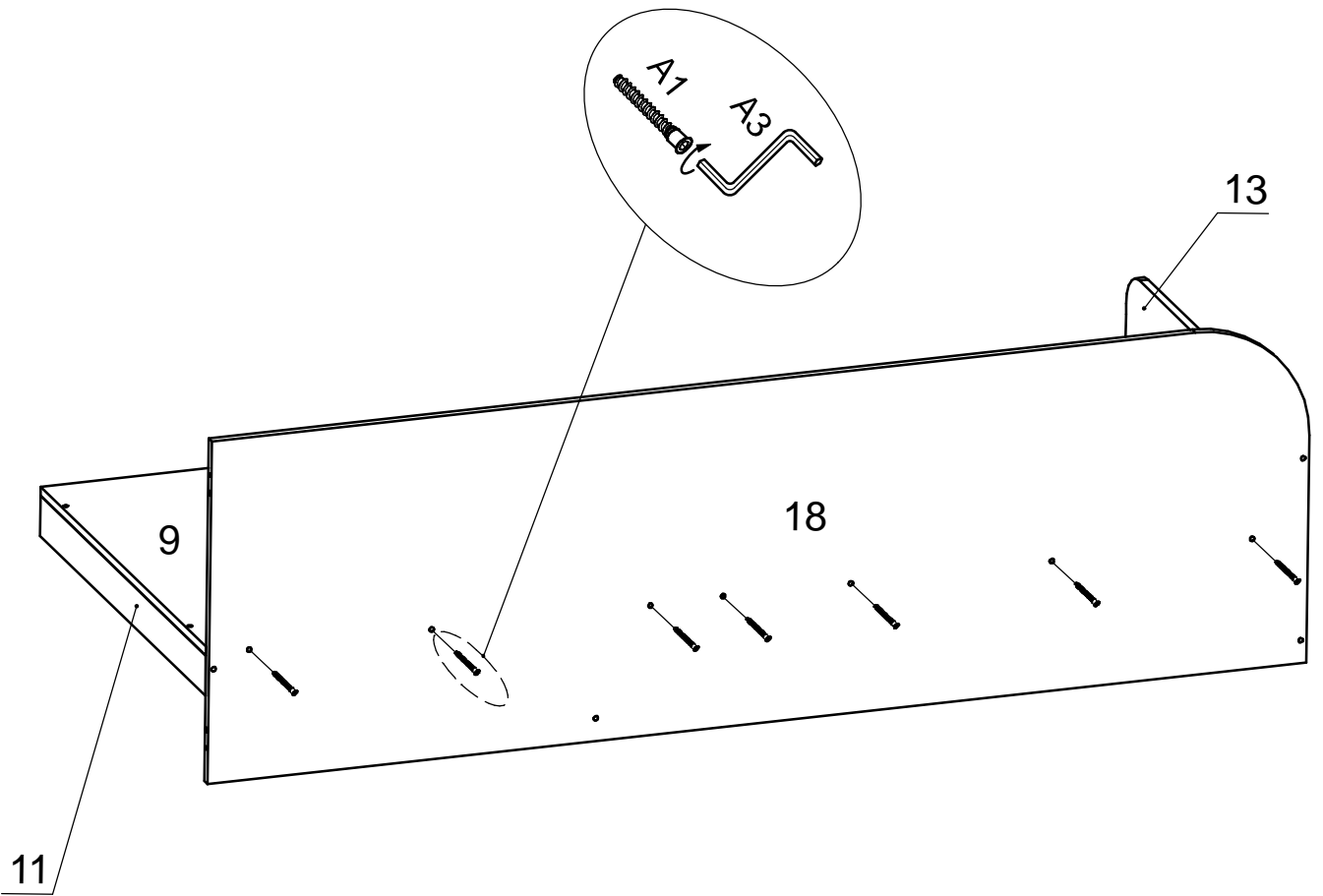
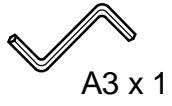
4



5



6



7



B1 x 2



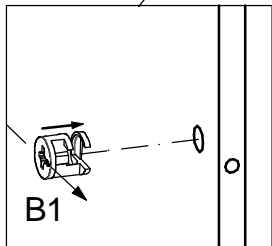
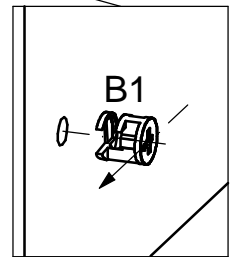
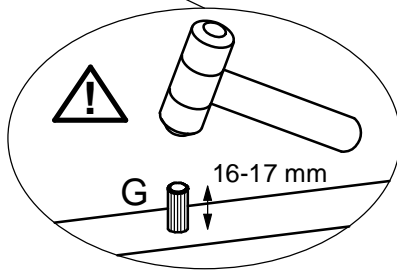
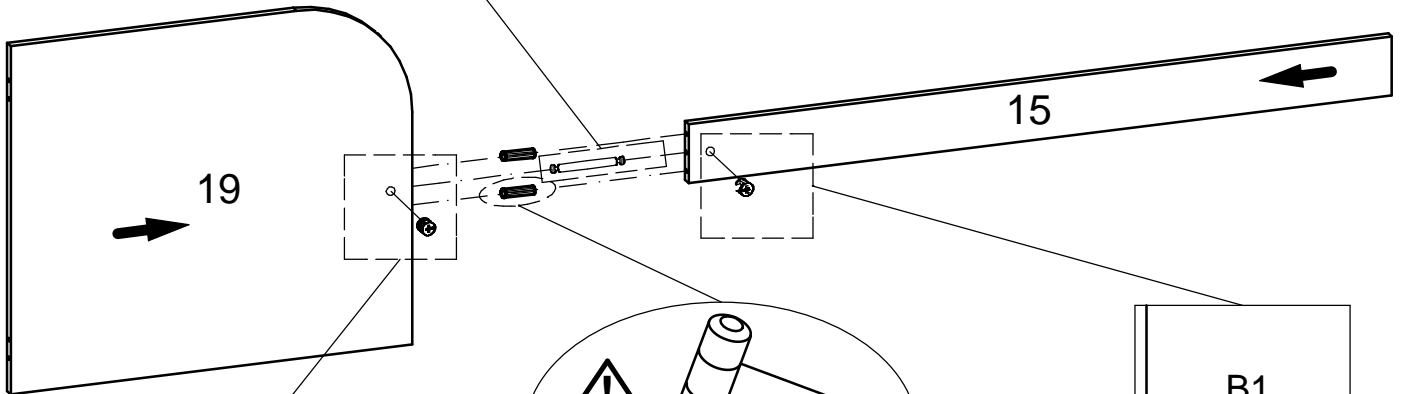
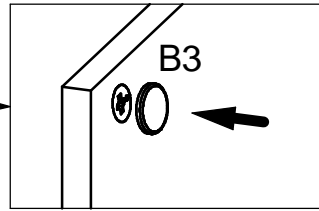
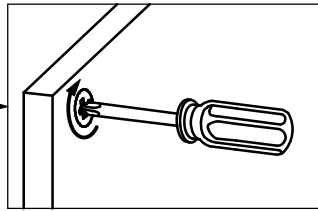
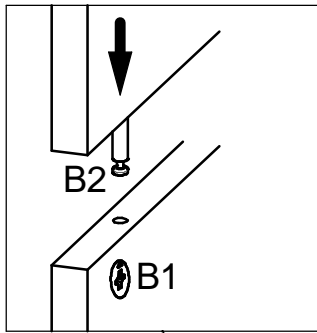
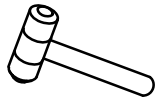
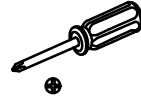
B2 x 1



B3 x 2

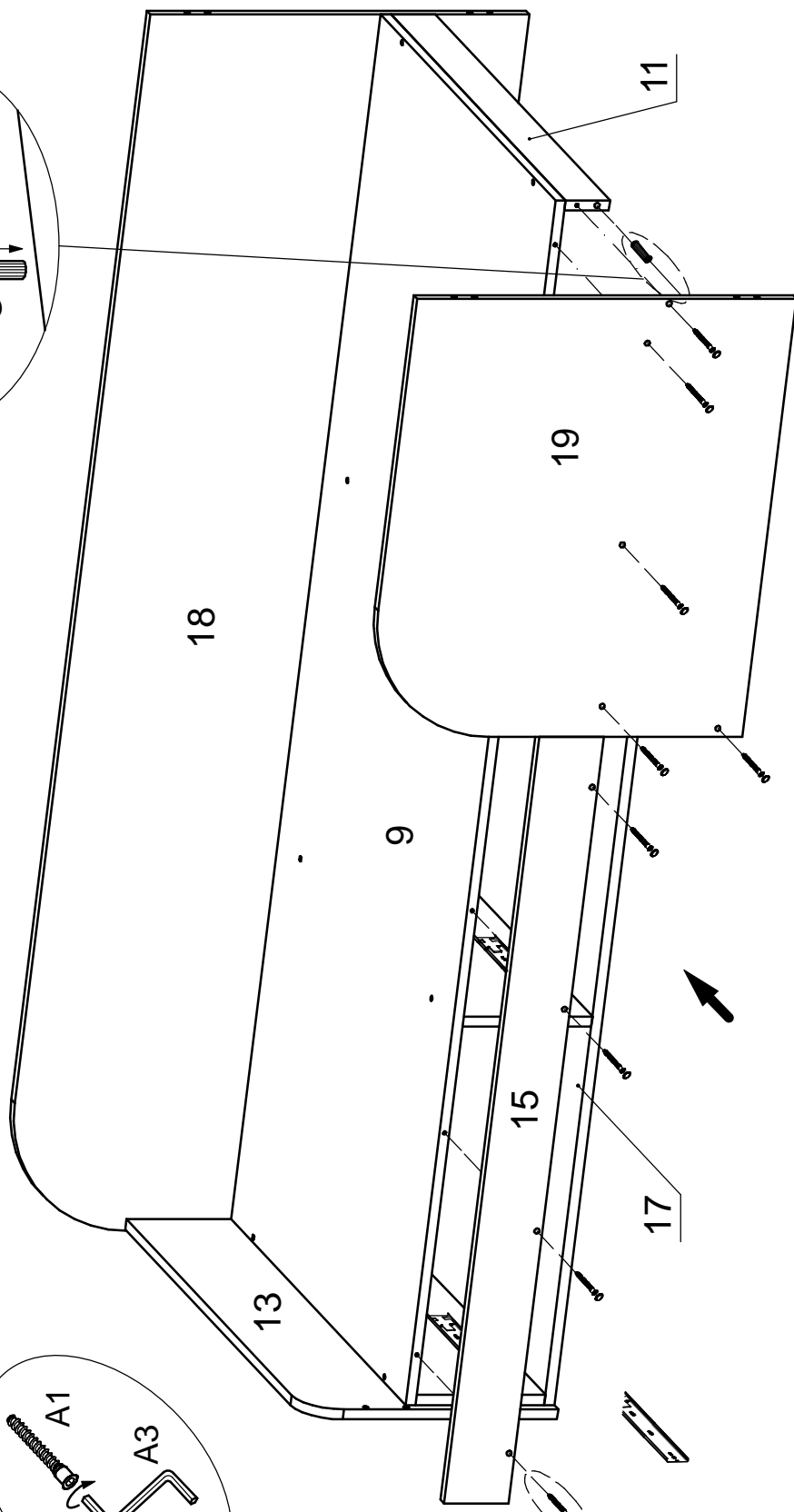
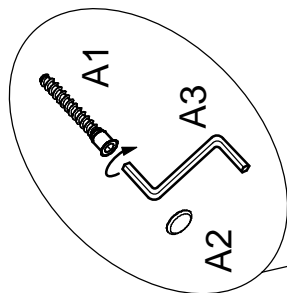
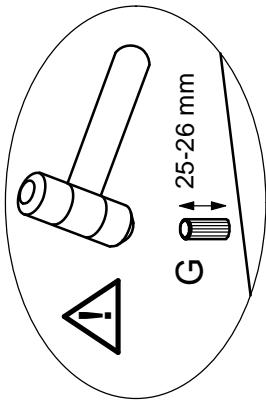
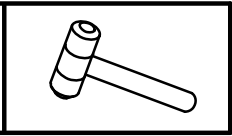


G x 2

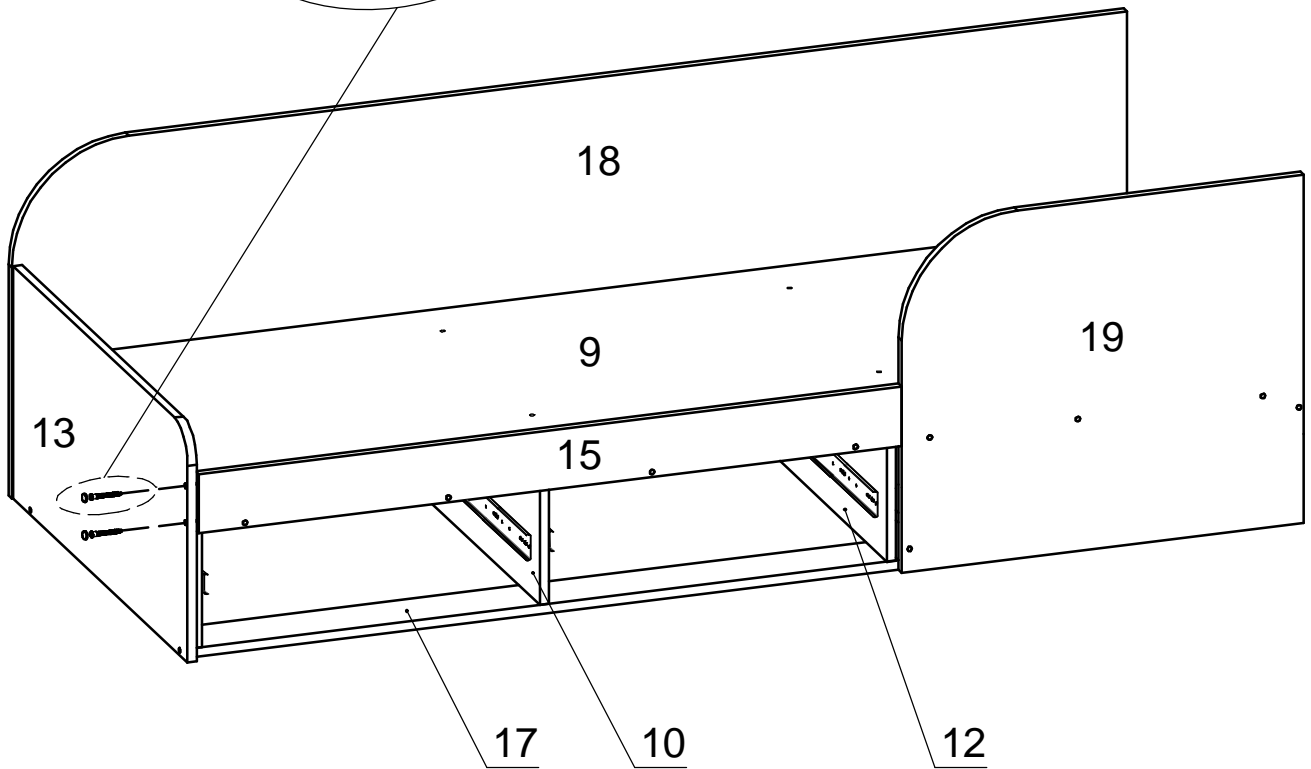
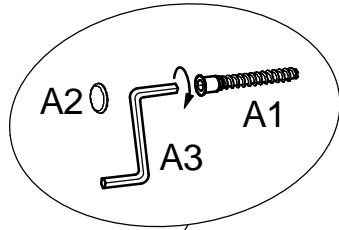
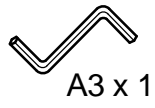
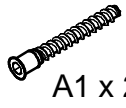


8

- A1 x 9
- A2 x 9
- A3 x 1
- G x 1



9



10



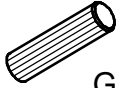
A1 x 4



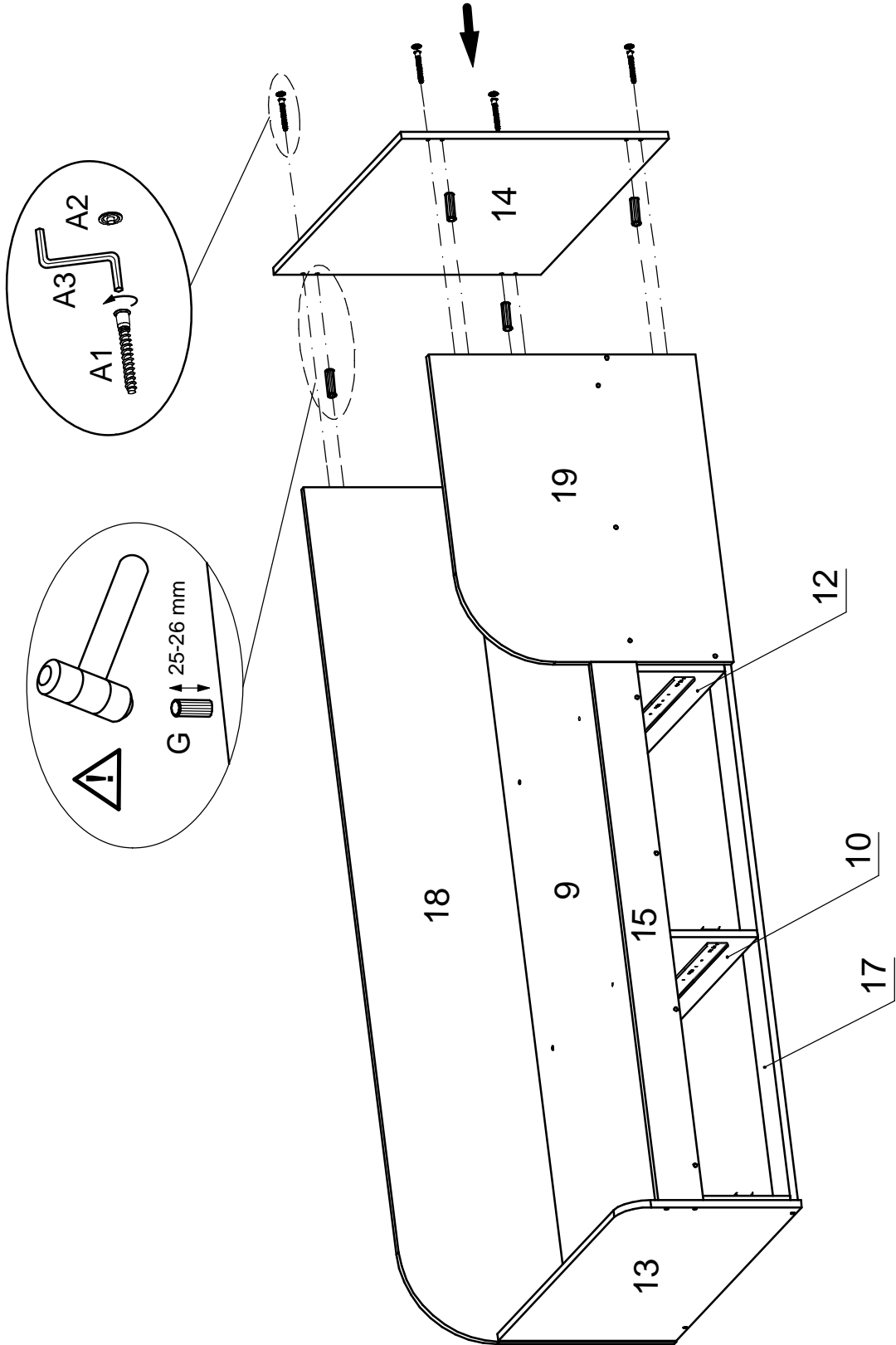
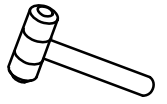
A2 x 4



A3 x 1

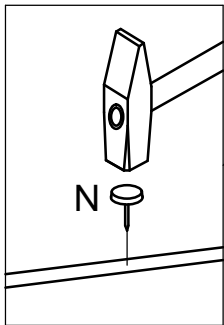
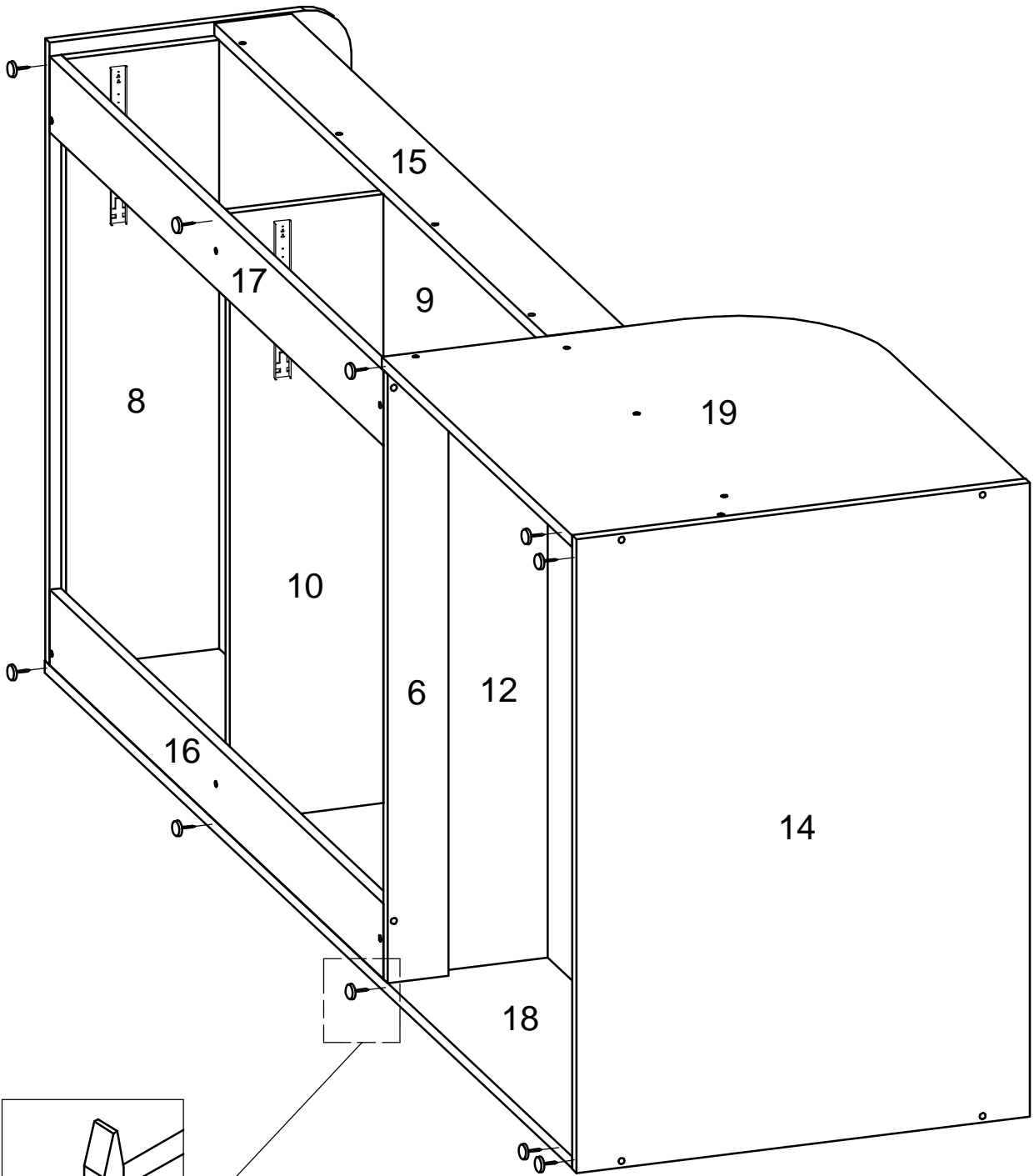
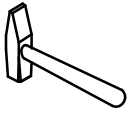


G x 4

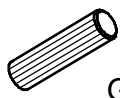


11

N x 10



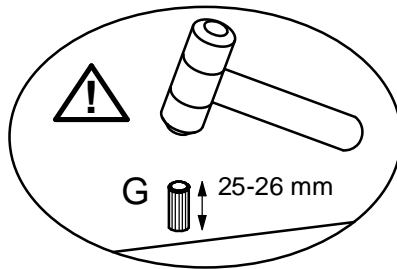
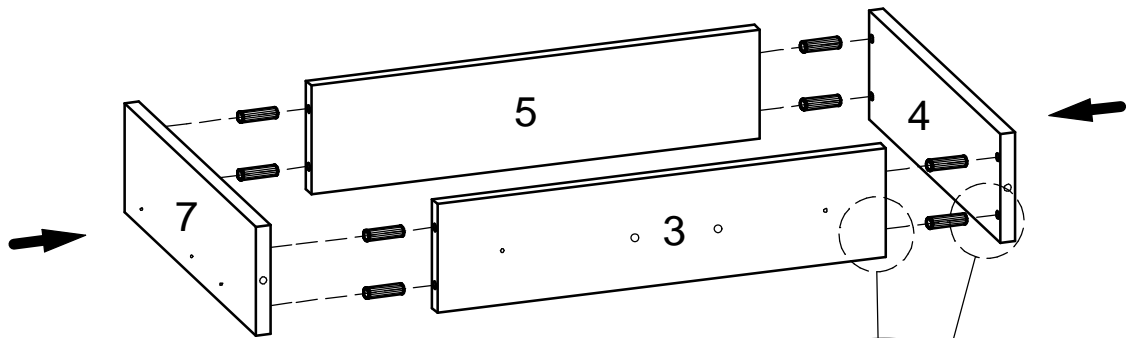
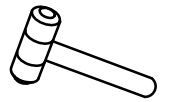
12



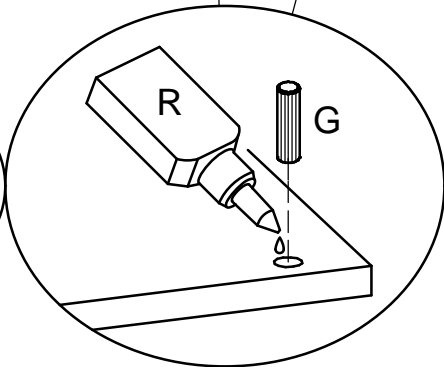
G x 16



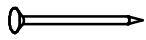
R x 1



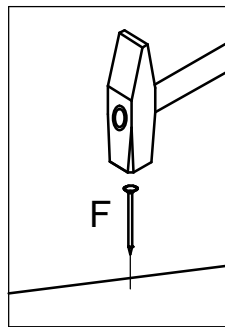
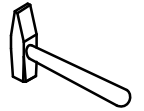
x 2



13

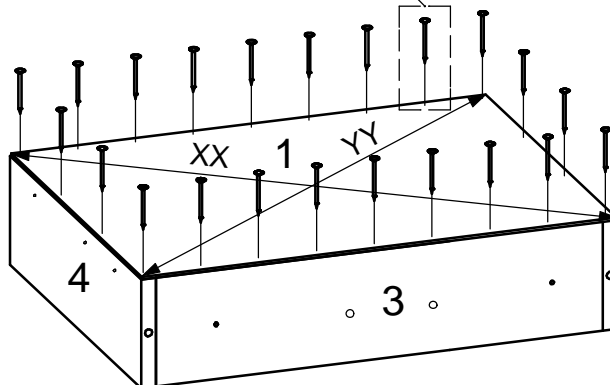


F x 68



! $XX=YY \cong 90^\circ$

x 2



14



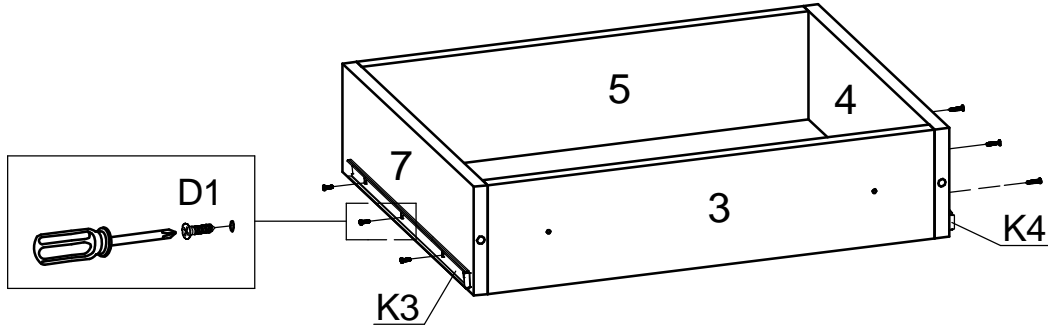
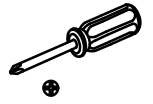
D1 x 12



K.3 x 2

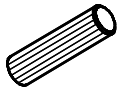


K.4 x 2

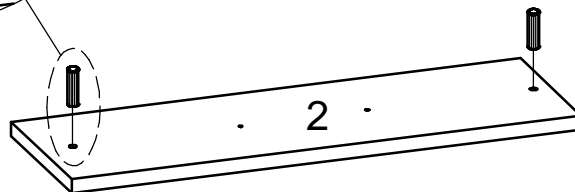
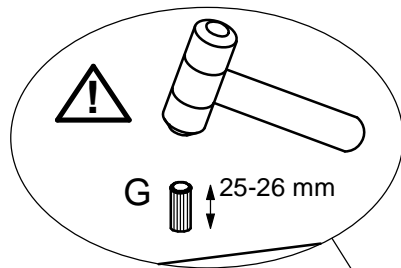
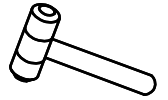


x 2

15



G x 4

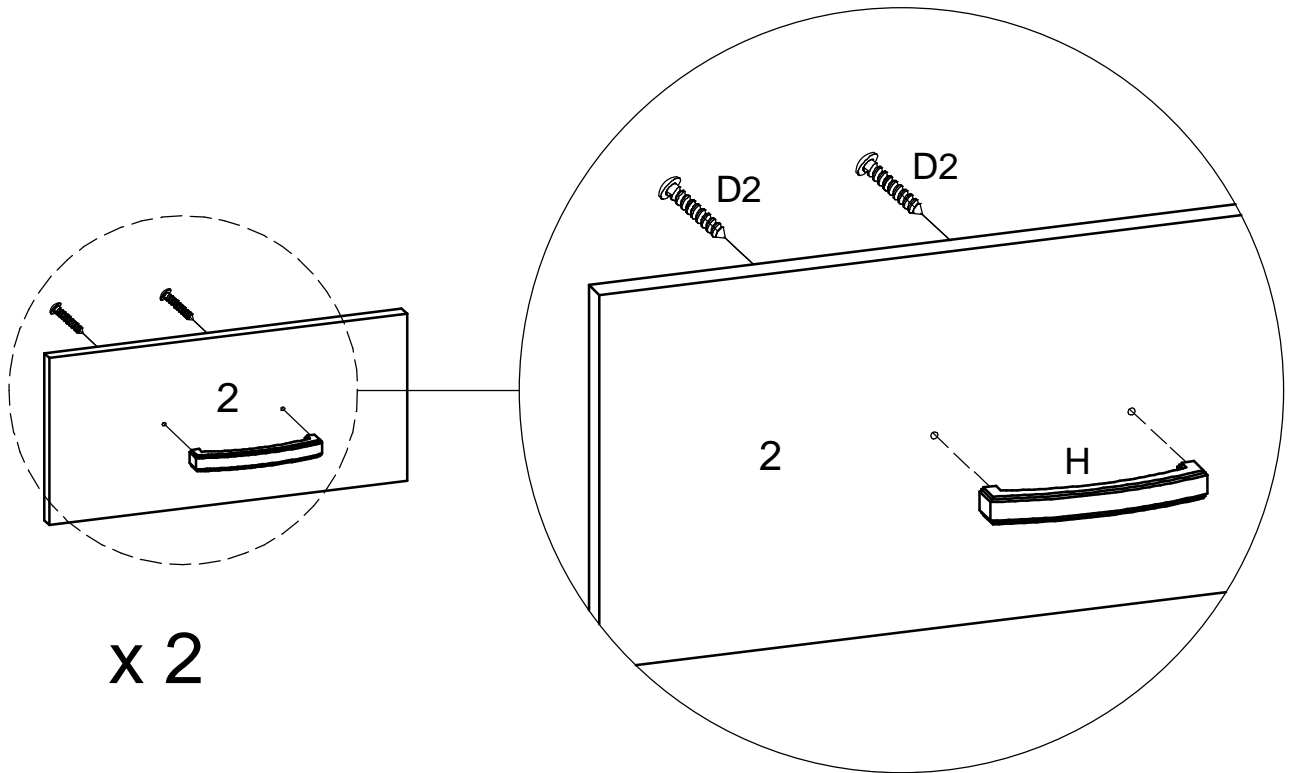
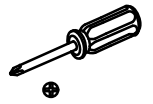


x 2

16

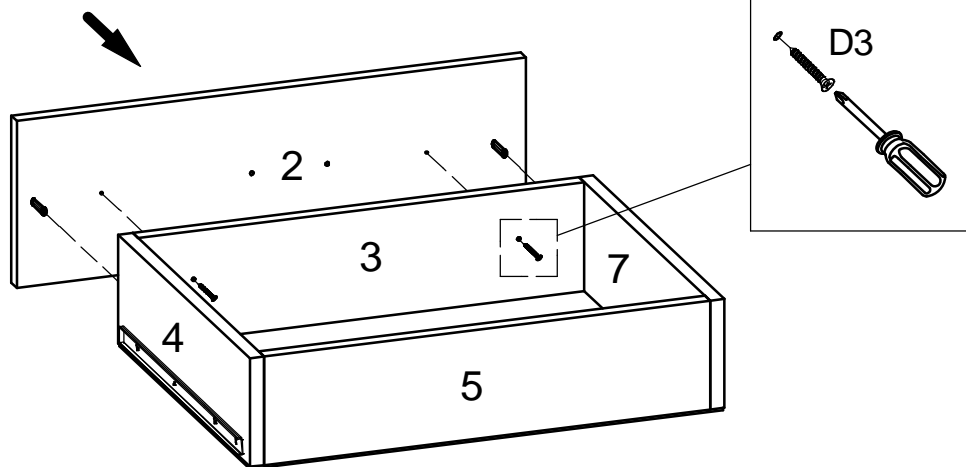
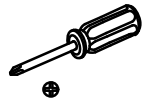
D2 x 4

H x 2



17

D3 x 4



18

